



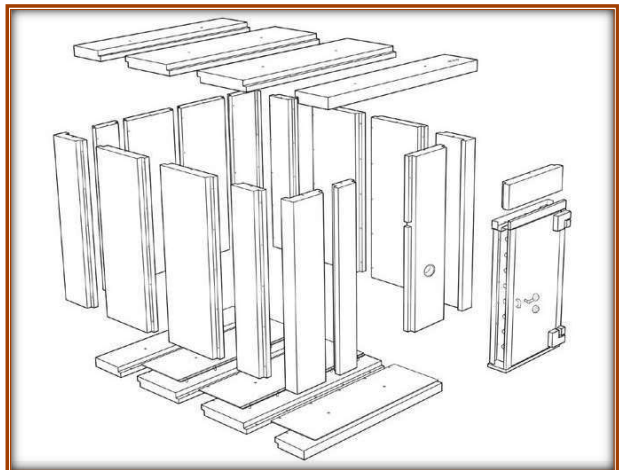
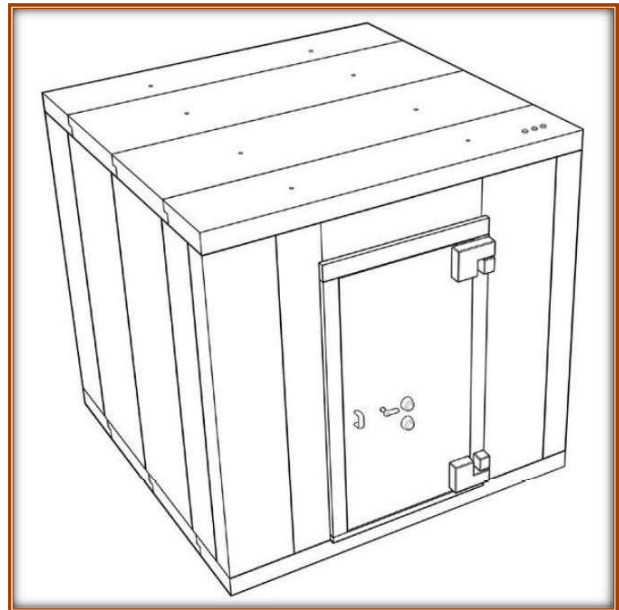
## ChubbSAFE InstaVault Solution

ChubbSAFE has drawn together all its years of experience with the latest technologies, to develop high-security vault rooms using the state-of-the-art technologies (high protection barrier materials, special reinforcement, and intelligent boltwork construction with relocking systems and anti-drilling plates) to resist the most stringent attacks.

The ChubbSAFE InstaVault solution offers modular vaults and strong rooms in 3 different security ratings for fast and flexible installations to protect high value bulk assets. Created with patented ChubbSAFE barrier materials that offer 3 different levels of security panel thickness of 75mm, 110mm and 150mm.

A highly customisable product can accommodate almost any space requirement with options of standard, extended and multi-bay sizes. InstaVault can be prepared on a concrete surface or for added security an addition of InstaVault floor system. As your needs change so can your vault which has the capability of being extended, reduced or completely relocated.

The InstaVault is SSEC endorsed



# System Equipment

## One (1) Chubb safes InstaVault MS110 – Standard Finish

The Chubb safes InstaVault™ solution offers modular vaults and strong room in different security rating for fast and flexible installations to protect high value bulk assets

### *Floor Requirement*

**NO FLOOR**

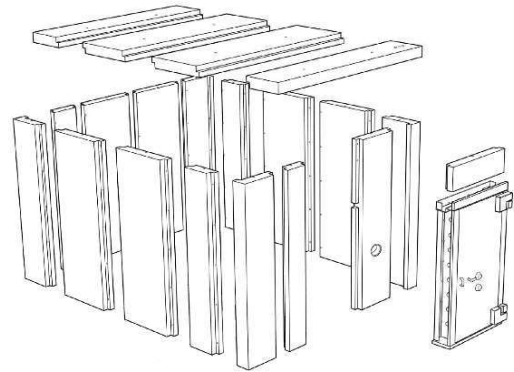
### *Room Dimensions with **NO FLOOR***

Wall Thickness: 110mm

Internal Dimensions (mm): 2,500 W x 2,500 D x 2,400 H

External Dimensions (mm): 2,720 W x 2,720 D x 2,510 H

Weight: Approx.. 10,500 kgs



*Illustration Purposes Only*

### *Specifications / Finishes*

- Material - Patented Chubb safes Barrier Materials
- Panel Thickness - 110mm panel thickness
- Certification - SCEC Endorsed
  - Chubb safes **InstaVault™** solutions are designed to meet the requirement of AS/NZS 3809:1998
- Finishing - Primer Finish, concrete rendering or treatment of exterior surfaces
- Breather Tube - Fitted with an emergency breather tube
- Concrete Strengths - The **InstaVault™** is the result of long program of experiments into the use of concrete for security applications.  
The result is a barrier material which when used in comparatively small thickness is resistant to all common forms of attack.  
The special features incorporated in the formulation give it attack resistance equivalent to much greater thicknesses of in-situ vaults.

### *The Chubb safes InstaVault™ Solution*

- Extend, reduce and relocate your vault as your needs change – The flexibility of an **InstaVault™** solution
- The Chubb safes **InstaVault™** is independently tested and endorsed for use by agencies of the Australian Government
- Choose an **InstaVault™** over a conventional poured concrete vault – The **InstaVault™** has greater resistance to attack, is lighter than a comparable poured concrete wall structure and can be extended, reduced or relocated



## One (1) Chubb safes Pacific Standard Size Door – Painted Finish

Security Vault Door offering protection for valuable bulk assets

Fit to Wall Thickness: 110mm

### *Vault Door Dimensions*

Clear Opening (mm): 920W x 1917H

Masonry Opening (mm): 1080W x 2050H

Weight: Approx..1100 kg

Configuration: **TBC**

Lock 1: Key Lock

Lock 2: Combination Lock

### **No Grille Gate**



*Illustration Purposes Only*

### *Specifications / Finishes*

- |                  |   |
|------------------|---|
| Material         | - Patented Chubb safes Barrier Materials                                    |
| Locking          | - 1x Key Lock and 1x Combination Lock                                       |
| Protection       | - TDR barrier and Relocking devices provided for enhanced attack protection |
| Internal Release | - Standard internal emergency release mechanism                             |
| Availability     | - Available in SCEC Endorsed variants                                       |
|                  | - Suitable for of AS/NZS 3809:1998 and UL608                                |
| Finishing        | - RAL 9002 Painted Finish   |

### *The Chubb safes Pacific Vault Door Solution*

- Chubb safes Vault Doors are matched to Chubb safes **InstaVault™** solutions, but are also used for poured vault installations
- All Chubb safes Vault Doors are available in Left Hand or Right Hand hinged configuration

