



CMI SAFE CO.

A.B.N. 20 118 637 245

Head Office: 244 WEST STREET, CARLTON, N.S.W. 2218

Phone: (02) 9547 1488 (5 lines) Fax: (02) 9547 2104

Web Site: <http://www.cmisafe.com.au> Email: sales@cmisafe.com.au

Agents in all major cities throughout Australia

3

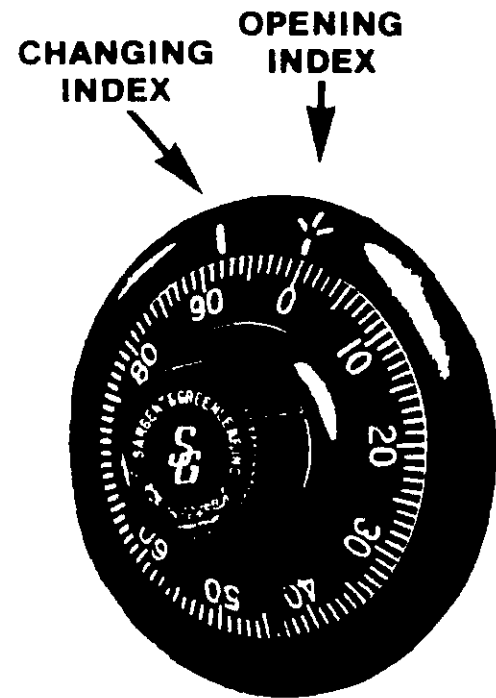
OPERATING & CHANGING INSTRUCTIONS

Before operating the lock or changing the combination, READ THESE INSTRUCTIONS THOROUGHLY.

At the top of the dial ring (at 12 O'Clock) an index is provided for normal dialing and opening. ↕ At the side of the opening index (at 11 O'Clock) a changing index is provided for use only when setting a new combination. ↙

This is a precision lock, therefore, extreme care must be used to align the combination numbers with the index. (No tolerance allowed).

Turn the dial slowly and steadily. If, after turning the correct number of revolutions, any number is turned beyond the index, the entire series of combination numbers must be re-dialed. DO NOT TURN BACK TO REGAIN A PROPER ALIGNMENT WITH THE NUMBERS. Each time a selected number is aligned with the opening index, a revolution is counted.



TO UNLOCK ON A FACTORY SETTING

ALL CMI SAFES ARE SET ON 50-25-50 AFTER FINAL INSPECTION AT OUR FACTORY

TO UNLOCK ON A 3 NUMBER COMBINATION – For Example “50-25-50” see figures 1-4 Below

1. Turn dial to the [↙]LEFT stopping when “50” is aligned with the opening index, the FOURTH time.
2. Turn dial to the [↘]RIGHT stopping when “25” is aligned with the opening index, the THIRD time.
3. Turn dial to the [↙]LEFT stopping when “50” is aligned with the opening index, the SECOND time.
4. Turn dial firmly to the [↘]RIGHT until the dial comes to dead stop.

TO LOCK COMBINATION

Turn the dial to the [↙]LEFT at least four full revolutions.

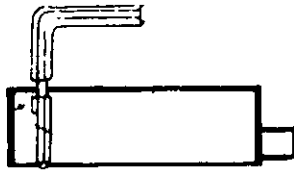
P.T.O.

CHANGING TO A NEW COMBINATION

Make up a new combination, selecting 3 sets of numbers of your own choosing

DO NOT use numbers between 0 and 20 for your last number

Figure 1.



Wing on Key passes thru slot in lock plate.

Figure 2.

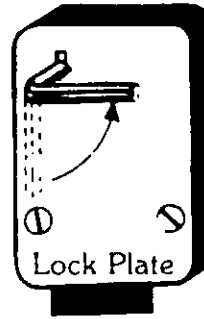
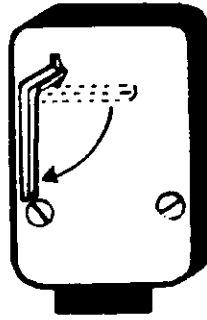


Figure 3.



Using the changing index, dial the whole of the **existing** combination (assuming 50 - 25 - 50) as follows:-

1. Turn dial to the **LEFT** stopping when 50 is aligned with the **changing index** the **FOURTH** time
2. Turn dial to the **RIGHT** stopping when 25 is aligned with the **changing index** the **THIRD** time
3. Turn the dial to the **LEFT** stopping when 50 is aligned with the **changing index** the **SECOND** time

The lock is now ready to insert the change key into the hole on the back of lock.

Ensure the change key is properly inserted as per Fig. 1.

Turn change key a quarter of a turn left as per Fig. 2.

Using the changing index, dial the whole of the **new** combination (assuming 10 - 20 - 30) as follows:-

1. Turn dial to the **LEFT** stopping when 10 is aligned with the **changing index** the **FOURTH** time
2. Turn dial to the **RIGHT** stopping when 20 is aligned with the **changing index** the **THIRD** time
3. Turn the dial to the **LEFT** stopping when 30 is aligned with the **changing index** the **SECOND** time

Turn the change key right as per Fig. 3 and remove key.

Dial the new combination 10 - 20 - 30 the opening index P.T.O.

CAUTION

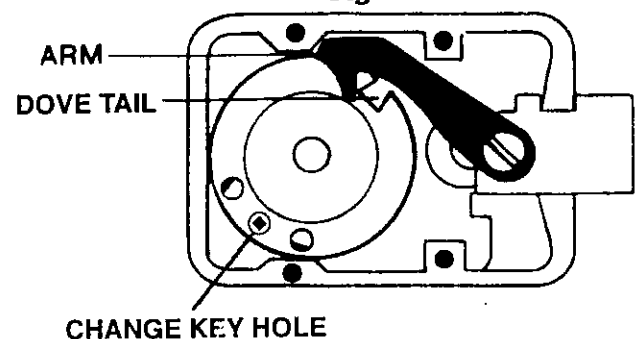
BEFORE CLOSING THE UNIT, try the new combination several times, using the opening index.

WARNING: NEVER INSERT THE CHANGING KEY IN THE LOCK WHEN THE COVER IS REMOVED. ALWAYS BE CERTAIN THAT THE WING OF THE CHANGING KEY IS ENTIRELY WITHIN THE LOCK (Figure 2) BEFORE TURNING THE KEY.

IF AN ERROR HAS BEEN MADE IN SETTING A NEW COMBINATION, we suggest that an accredited locksmith be called. If this is not possible, do the following:

- A. To expose lock mechanism, remove two screws on back of lock which holds Lock Plate. Remove Lock Plate.
- B. Using change key, insert it in the DOVE TAIL in the wheels. Rotate each wheel until DOVE TAILS are in perfect alignment against arm, **see diagram** shaded area. Replace cover and insert change key. Replace screws.
- C. Follow directions for setting the new combination as indicated in paragraphs above

Figure 4.



FOR SERVICE: PH: (02) 9547 1488 FAX: (02) 9547 2104

3