

CMI SAFE CO. A.B.N. 20 118 637 245

Head Office: 244 WEST STREET, CARLTON, N.S.W. 2218

Phone: (02) 9547 1488 (5 lines) Fax: (02) 9547 2104

Web Site: <http://www.cmisafe.com.au> Email: sales@cmisafe.com.au

Agents in all major cities throughout Australia

4

OPERATING AND CHANGING INSTRUCTIONS FOR LOCK MODELS:

6631, 6636, 6651, R6656, R6731, & R6736

Torque Adjusting:

With cover removed, insert a $\frac{3}{32}$ " allen wrench into adjusting screw (see Figure 1). Turn clockwise to tighten or counter-clockwise to loosen.

NOTE: Manipulation-proof locks should not be adjusted to less than 18 ozs. of dialing torque.

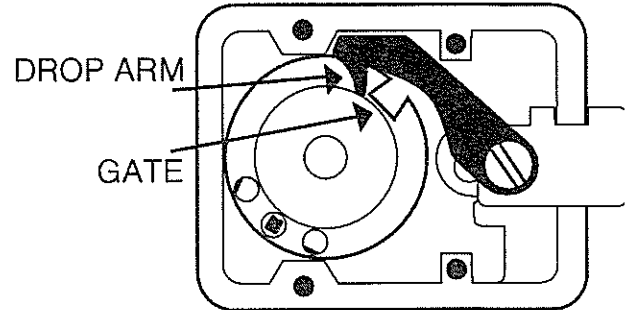


Fig. 1

Setting Numbers:

At the top of the dial ring, an index is provided for normal dialing and opening. To the left of the Opening Index, a Changing Index is provided for use only when setting a new combination.

This is a precision lock, therefore, extreme care must be used to align the combination numbers with the index.

Turn the dial slowly and steadily. If after turning the correct number of revolutions, any number is turned beyond the index, the entire series of combination numbers must be re-dialed. DO NOT TURN BACK TO REGAIN A PROPER ALIGNMENT WITH THE NUMBERS. Each time a selected number is aligned with the opening index, a revolution is counted.

Five clockwise revolutions will clear any error.

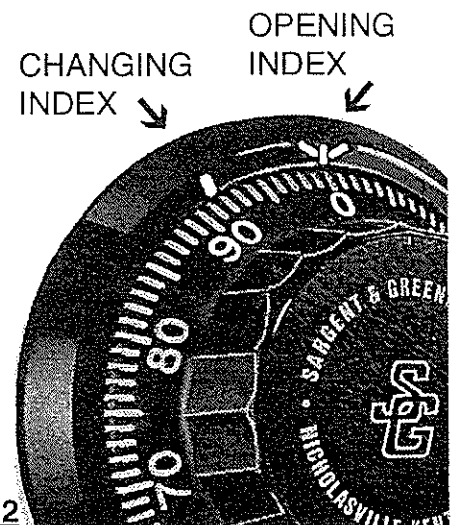


Fig. 2

TO UNLOCK ON THE FACTORY SETTING

TO UNLOCK A LOCK SET ON A FOUR-NUMBER COMBINATION, USE THE FOLLOWING EXAMPLE:

1. Turn dial to the **RIGHT**, stopping when "10" is aligned with the Opening Index after the **FIFTH** revolution.
2. Turn dial to the **LEFT**, stopping when "20" is aligned with the Opening Index the **FOURTH** time.
3. Turn dial to the **RIGHT**, stopping when "30" is aligned with the Opening Index the **THIRD** time.
4. Turn dial to the **LEFT**, stopping when "40" is aligned with the Opening Index the **SECOND** time.
5. Turn dial slowly to the **RIGHT** until the dial comes to a dead stop.

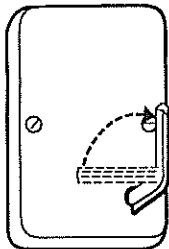
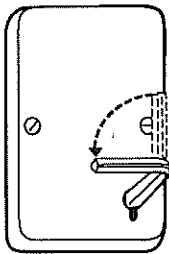
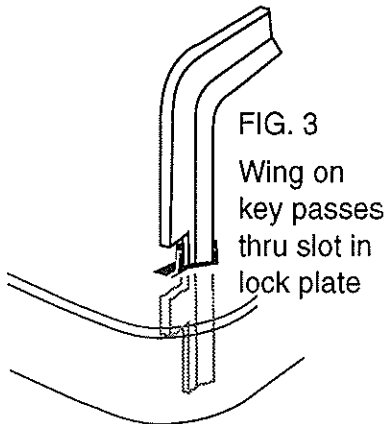
TO LOCK

Turn dial to the **LEFT** at least five full revolutions.

Over

CHANGING TO A NEW COMBINATION

Make up a new combination, selecting four numbers of your own choosing. DO NOT use numbers between 0 and 20 for your last number. *The last number must be between 21 and 99 inclusive.* For maximum security, DO NOT use numbers ending in 0 or 5 and DO NOT use numbers in a rising or falling sequence. E.G. 25-30-50-75 is not as good a combination as 87-54-38-72.



6. Using the Changing Index, dial the existing combination as explained in **Items 1-2-3-4** on the front side of this instruction sheet. Stop on the last revolution of the last number at the Changing Index. Insert Changing Key until the wing is entirely inside the lock and comes to a positive stop (see Fig. 3).

7. Turn key one quarter turn to the **LEFT** (see Fig.4). Turn the dial to the **RIGHT**, stopping when the first number of the new combination aligns with the Changing Index, after the **FIFTH** revolution.

8. Turn the dial to the **LEFT**, stopping when the second number is aligned with the Changing Index, the **FOURTH** time.

9. Turn the dial to the **RIGHT**, stopping when the third number is aligned with the Changing Index, the **THIRD** time.

10. Turn the dial to the **LEFT**, stopping when the fourth number is aligned with the Changing Index, the **SECOND** time. Holding the dial in this position, turn the Changing Key back to the **RIGHT** and remove it (see FIG.5).

THE NUMBERS THAT YOU HAVE DIALLED IN ARE NOW THE LOCK'S NEW COMINATION.

Before closing the cabinet, try the new combination several times, using the Opening Index.

WARNING: Never insert the Changing Key in the lock when the cover is removed. Always be certain that the wing of the Changing Key is entirely within the lock (Figure 3 before turning key.)

If an error has been made in setting the new combination, we suggest that an accredited locksmith be called.

CMI SAFE CO. A.B.N. 20 118 637 245

Head Office: 244 WEST STREET, CARLTON, N.S.W. 2218

Phone: (02) 9547 1488 (5 lines) Fax: (02) 9547 2104

Website: www.cmisafe.com.au Email: sales@cmisafe.com.au

