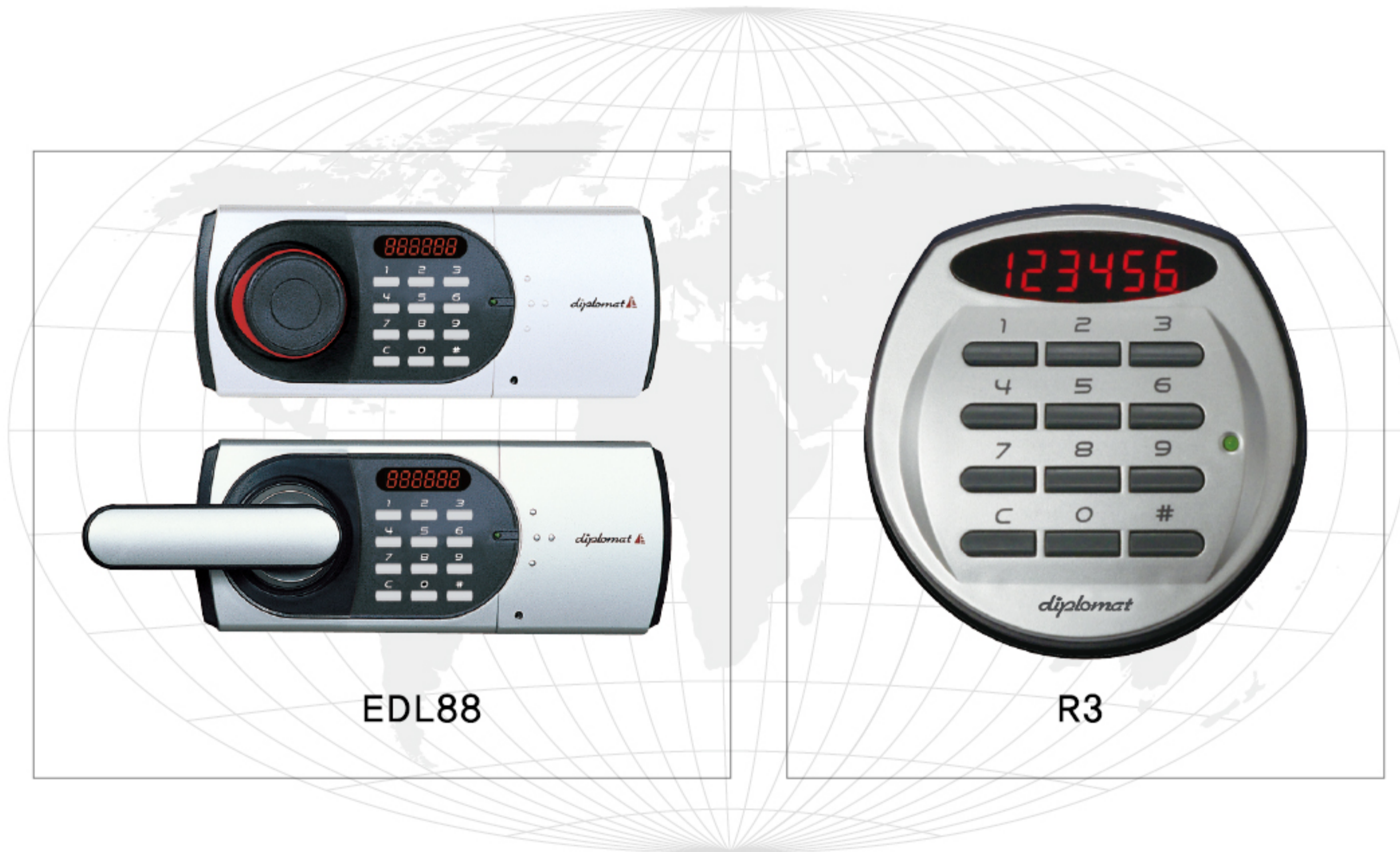




RoHS

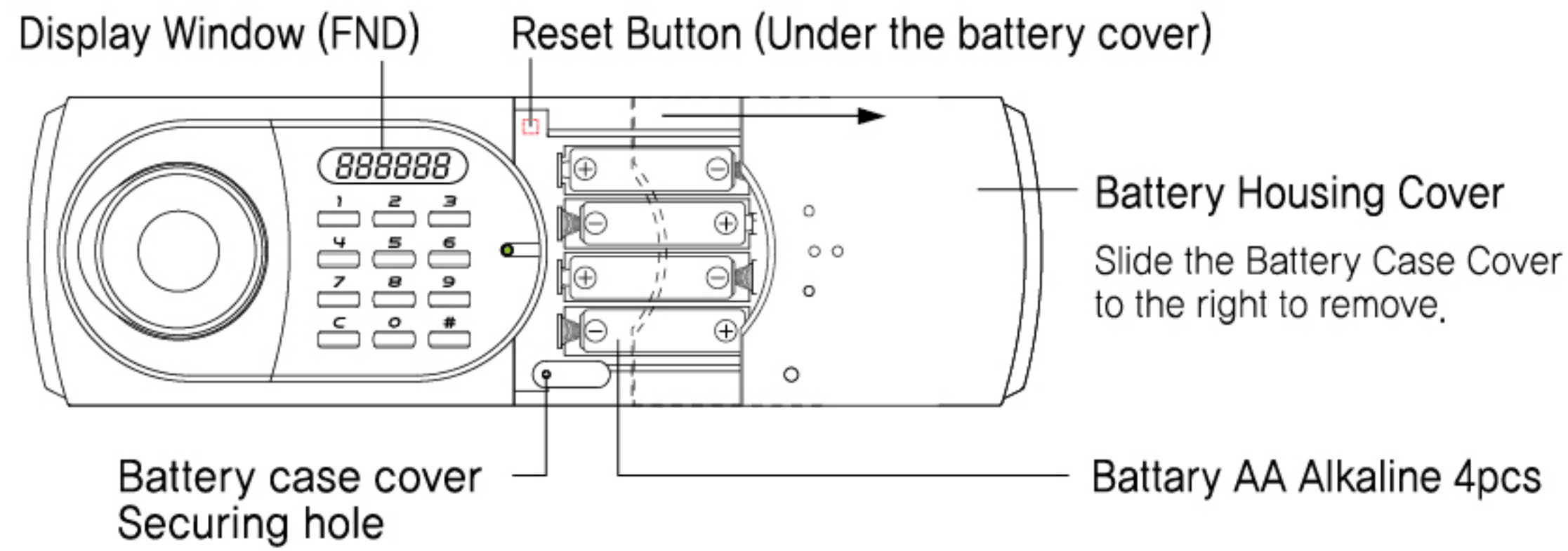
Advanced Digital Lock **EDL88** **R3**

INSTRUCTION

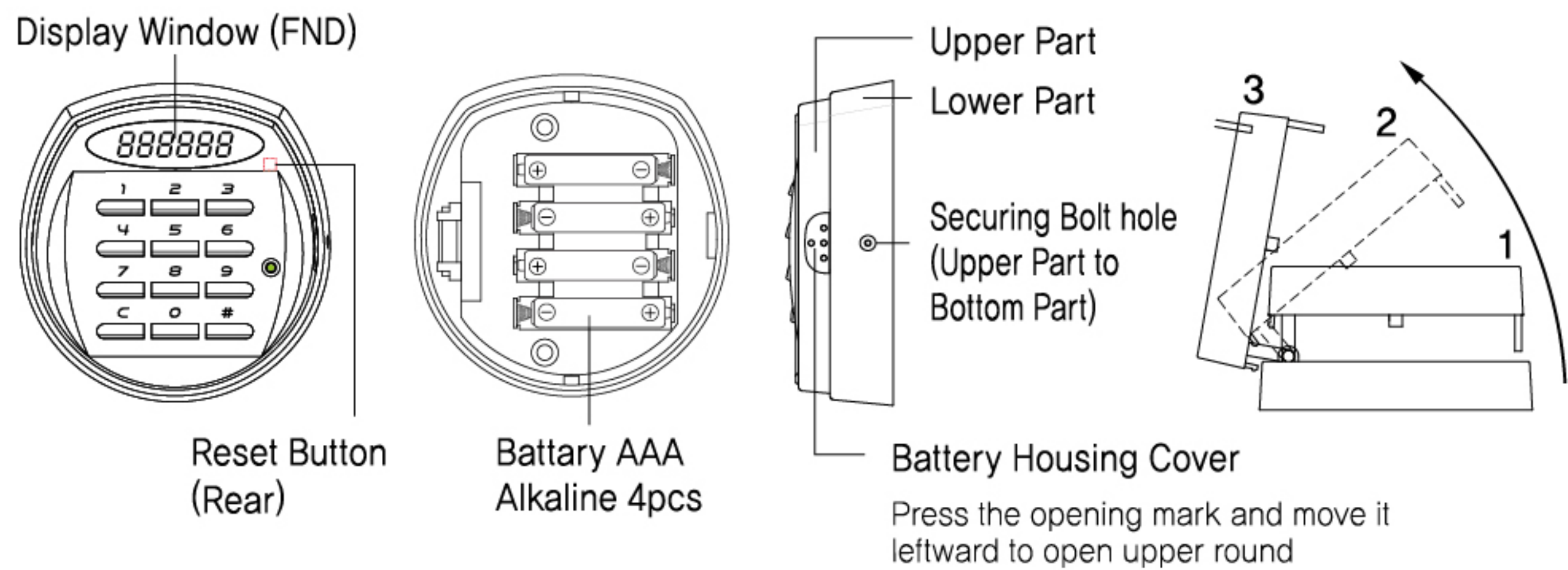


diplomat **SAFE** ▲ **디프로매트 금고**

EDL88



R3



1 How to open?

- Step 1. Press ' C ' button
- Step 2. Press factory code ' 1 2 3 4 5 6 '
- Step 3. Press ' # ' button (Melodic tone, OPEnd on FND)
- Step 4. Turn knob (Key or Handle) clockwise and open the door while melody rings.

C → **1** **2** **3** **4** **5** **6** → **#**

- 💡 1. In case of wrong code tried, it sounds Bi-Bi-Bi-Bi-Bi. (ErrOr on FND)
- 2. If wrong codes are tried over 5 times, the lock gets paralysed for 5 minutes.
- Paralysis releases in 5 minutes, the number indicating the rest of paralysis time appears every minute indicating 5, 4, 3, 2, 1.

2 How to lock?

1. Home Safe (EN,EK) : Close the door, turn knob (or key) counter-clockwise.
 2. Office Safe (EH) : Close the door, then it is locked automatically.
 3. Office Safe (EHK) : Close the door, and turn the key counter-clockwise by 360° and take it out.
- If you want to use digital lock only in EHK, turn the key clockwise by 360° and take it out.

3 How to enter user code? : Door open

* Please decide your 6 digits code.

Step 1. Press ' M ' button on Backside of door

Step 2. Press your Code

Step 3. Press ' # ' button (Melodic tone, EntErd on FND)

EX) If a new code is decided 4 5 0 8 1 5, press buttons M 4 5 0 8 1 5 # consecutively (Melodic tone)



! To confirm if the user code is exactly entered, please check it prior to closing door.
In case of your code 2 1 1 2 2 5, press button C 2 1 1 2 2 5 # consecutively.
If the procedure properly done, melody rings 3 seconds.

4 Dual Control : Two different codes required.

* For dual control, 2nd user code must be entered.

M → **2** → **#** → **2nd Code** → **#** (EntErd on FND)

! 2nd user code must be different from 1st user code.

* To set dual control, press following buttons.

M → **9** → **#** (dUAL on FND)

* How to open door under dual control?

C → **User Code** → **#** → **2nd Code** → **#** (OPEnd on FND)

* To unset dual control, press following buttons.

M → **9** → **#** (5ingLE on FND)

! When Dual Control unsets, the 2nd code is automatically removed.

5 When to replace batteries?

1. When " C " button pressed, low battery warning (LObAtt on FND with Bbiric Bbiric)
2. Door may not open in spite of exact code entered in case of battery low.

- Battery Life Span : 1 year (openings 3 times a day)
EDL88 : 1.5V AA Alkaline 4pcs / R3 : 1.5V AAA Alkaline 4pcs

- In spite of the batteries completely exhausted, the code is preserved in safe condition.

6 Code hidden & No Sound

To set on **M** → **7** → **#** (hdE on FND)

To set off **M** → **7** → **#**

7 Scramble Numbers

When opening the door, scramble numbers (unlimited) are allowed to put before and/or after the code to prevent the code from exposure. The code should be put consecutively.

Ex) If a user's code is 4 5 0 8 1 5, C → Scramble Numbers 4 5 0 8 1 5 Scramble Numbers → #

8 Alarm setting

- ① Once Alarm System is affected by shock, Vibration or Tilt, it makes horn immediately.
- ② Alarm set is automatically released when door is opened.
- ③ If necessary, alarm should be reset whenever door is opened.

To set on **M** → **8** → **#** (ALERT on FND)

To set off **C** → **User Code** → **#**

9 Reset Function

Reset button on PCB

diplomat[®] **SAFE** 

1583-4 SONGJUNG-DONG GANGSEO-GU BUSAN, KOREA TEL (82 51) 831-4400 FAX (82 51) 831-4409

Email : info@dsafe.co.kr www.dsafe.kr

To improve products constantly, Diplomat Safe reserves the right to alter the specifications without prior notice.
Printed in Korea, Oct. 7, 2015 REV. 4
